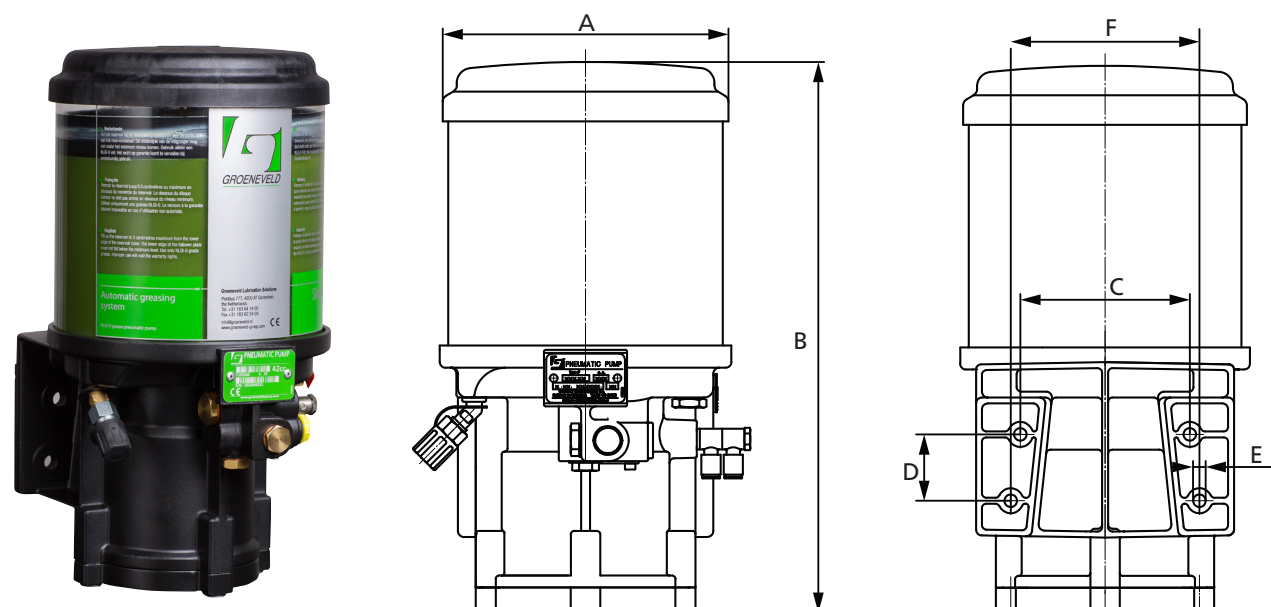


Specification sheet

SingleLine automatic lubrication system

Dimensions



Type	A [mm]	B [mm]	C [mm]	D [mm]	E [mm]	F [mm]
SingleLine 4 litre	Ø 193	372	115	45	Ø 8.5	128
SingleLine 6 litre	Ø 193	462	115	45	Ø 8.5	128
SingleLine 8 litre	Ø 193	552	115	45	Ø 8.5	128

Versions: electric plunger pump

Article number	Reservoir capacity	Supply voltage	Grease output	Nominal current	Low level switch	Max. operating pressure	Temperature range	Weight
F110082*	8 litre	12 Vdc	50 cc/min.	24 Vdc	Yes	100 bar	-15 °C up to +80 °C	9.8 kg
F110083*	8 litre	24 Vdc	25 cc/min.	12 Vdc	Yes	100 bar	-15 °C up to +80 °C	9.8 kg
F110084*	4 litre	24 Vdc	25 cc/min.	12 Vdc	Yes	100 bar	-15 °C up to +80 °C	8.8 kg
F110712*	4 litre	12 Vdc	50 cc/min.	24 Vdc	Yes	100 bar	-15 °C up to +80 °C	8.8 kg
F111561*	4 litre	12 Vdc	25 cc/min.	24 Vdc	Yes	100 bar	-15 °C up to +80 °C	8.8 kg

* Pump only, excluding grease.

Versions: electric plunger pumps

Article number	Reservoir capacity	Supply voltage	Grease output	Nominal current	Low level switch	Max. operating pressure	Temperature range	Weight
F117676	2.7 litre	12 Vdc	120 cc/min.*	12 Vdc	Yes	55 bar	-20 °C up to +70 °C**	9.6 kg
F103384	2.7 litre	12 Vdc	120 cc/min.*	12 Vdc	No	55 bar	-20 °C up to +70 °C**	9.6 kg
F103398	2.7 litre	24 Vdc	120 cc/min.*	12 Vdc	Yes	55 bar	-20 °C up to +70 °C**	9.6 kg
F103382	2.7 litre	24 Vdc	120 cc/min.*	12 Vdc	No	55 bar	-20 °C up to +70 °C**	9.6 kg

* NLGI-0 grease at 20 °C. ** Get in touch with your local Groeneveld organisation in case of extreme circumstances.

Specification sheet

SingleLine automatic lubrication system

Versions: pneumatic pump

Article code	Reservoir capacity	Grease delivery	Ratio	Grease pressure	Max. operating pressure	Temperature range***
F103160*	4 litre	42 cc/revolution	9:1	72 bar**	100 bar	-25 °C up to +80 °C
F116479	4 litre	42 cc/revolution	9:1	72 bar**	100 bar	-25 °C up to +80 °C
F103544*	8 litre	42 cc/revolution	9:1	72 bar**	100 bar	-25 °C up to +80 °C
F103336*	4 litre	60 cc/revolution	9:1	72 bar**	100 bar	-25 °C up to +80 °C
F116488	4 litre	60 cc/revolution	9:1	72 bar**	100 bar	-25 °C up to +80 °C
F114016	8 litre	60 cc/revolution	9:1	72 bar**	100 bar	-25 °C up to +80 °C
F111140	6 litre	42 cc/revolution	9:1	72 bar**	100 bar	-25 °C up to +80 °C
F130414 (ZW-0)	4 litre	60 cc/revolution	9:1	72 bar**	100 bar	-25 °C up to +80 °C

* Pump only, excluding grease. ** At an air pressure of 8 bar. *** NLGI-0 grease.

Basic information

Pump type	Pneumatic / electric
Output	1
Max. number of lubrication points	200*
Cartridge or refillable	Refillable
Grease class up to	NLGI-0

* Depending on system resistance, grease delivery and tubing length.

Controlled by	Brake counter or timer
Follower plate	Standard
Interval	Timer: variable Brake counter: 10 - 80

Control unit (F125639)

Supply voltage	12 - 24 Vdc
Pump output	Yes
Maximum current pump output	15 A
Alarm lamp output	Yes
Maximum current alarm lamp output	1 A
Impulse lamp output	Yes
Maximum current impulse lamp output	1 A
Pressure switch input	Yes

Low level switch	Yes
Pulse input	Yes
Test button	Yes
Built-in alarm signal	Yes
Greasing intervals adjustable	10, 15, 20, 30, 45, 60, 90, 120, 150, 180, 240 and 300 minutes or pulses
Pump cycle time adjustable	1, 2,... 9 minutes
Protection class	IP54
Diagnosis connector	Yes

Grease capacity metering units

Metering unit	cc per cycle
0	0.025
1	0.050
2	0.100
3	0.150

Metering unit	cc per cycle
4	0.200
5	0.250
6	0.300
7	0.350

Metering unit	cc per cycle
8	0.400
8.5	0.700
9	1.000